



Harsh & Hazardous

KILLARK®

KFLH Series

LED Technology

for Harsh and Hazardous Environments



- Up to 124 Lumens per Watt
- From 170W to 390W Output
- Ambient Sustainability -50°C to 55°C
- Crisp White 5000 Kelvin Light (Noon Sunlight)
- Thermal Shock and Impact Resistant Glass Lens
- Long Life LED array to 278,000 Maintenance Free Hours



C1D2 FLOOD – INTRODUCTION & LOGIC



Class I, Div. 2, Groups A, B, C, D
 Class I, Zone 2, IIC, IIB, IIA
 Class II, Div. 1 & 2, Groups E, F, G
 Class III
 Suitable for wet locations
 Marine Rated (US only)
 Type 3, 4X
 IP66

IEC Ex Rated Model
 Zone 2 and Zone 21 areas
 Ex nA IIC T6...T3, Gc
 Ex tb IIC T105°C, Db
 Tamb -50°C < Ta < +55°C, IP66



PETROBRIGHT® LED

FEATURES-SPECIFICATIONS

Compliances

- UL-8750 for LED lighting
- ANSI/UL 1598(A)
- UL-844 Standard for lighting fixtures for hazardous locations, Class I, Division 2; Class II, Divisions 1 and 2; Class III
- CSA C22.2 no. 137-M1981 electric luminaires for use in hazardous locations
- Enclosed and gasketed
- Type 3, 4X
- IP66

Materials

- Body and lens frame corrosion resistant copper-free aluminum alloy with baked powder epoxy/polyester finish, electrostatically applied for complete, uniform corrosion protection
- All external hardware – stainless steel
- Thermal shock and impact resistant glass lens (Polycarbonate available)
- High temperature silicone gasketing
- Trunnion heavy gauge 316 stainless steel

LED Flood Features and Standards

Supplemental **20KA/10KV Surge Protection** is standard (for 120-277 VAC models)
10KA/10KV Surge Protection (for 347-480 VAC)

- Crisp White Light for Excellent Color Rendering – Chromaticity 5000K (CCT); approx. 70 CRI
- Energy Savings – High lumens per watt
- LED Array Life – 100,000+ hours with 70% initial lumens
- Long Fixture Life – 50,000 - 55,000 maintenance free hours
- Ambient suitability -40°C to 55°C up to 250W to -50°C for non-hazardous applications
- Instant On – Including after power interruption
- World Voltage 120 – 277VAC 50/60Hz
- Solder-LESS LED Board Connections – Vibration Resistant
- Standard fixture is supplied with dual M20 slip holes with 3/4" NPT hub adapters with one plugged
- **Warm LED color option available with 3070**

IECEX Certificate
 QPS 15.0011

ATEX Certificate
 CML 15ATEX4079X (nA)
 &
 CML 15ATEX3080X (tb)

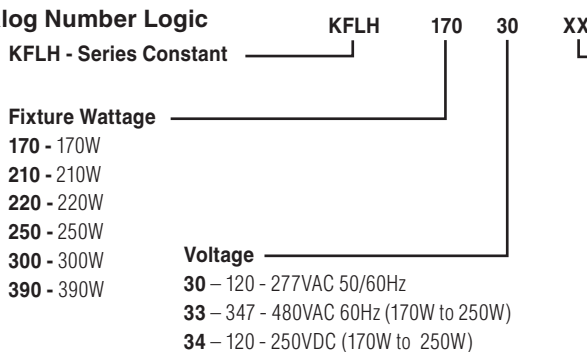
PATENTED LENS and REFLECTOR DESIGN



KFLH Luminaire

Dark Sky Visor KFLH-DARK

Catalog Number Logic



Options

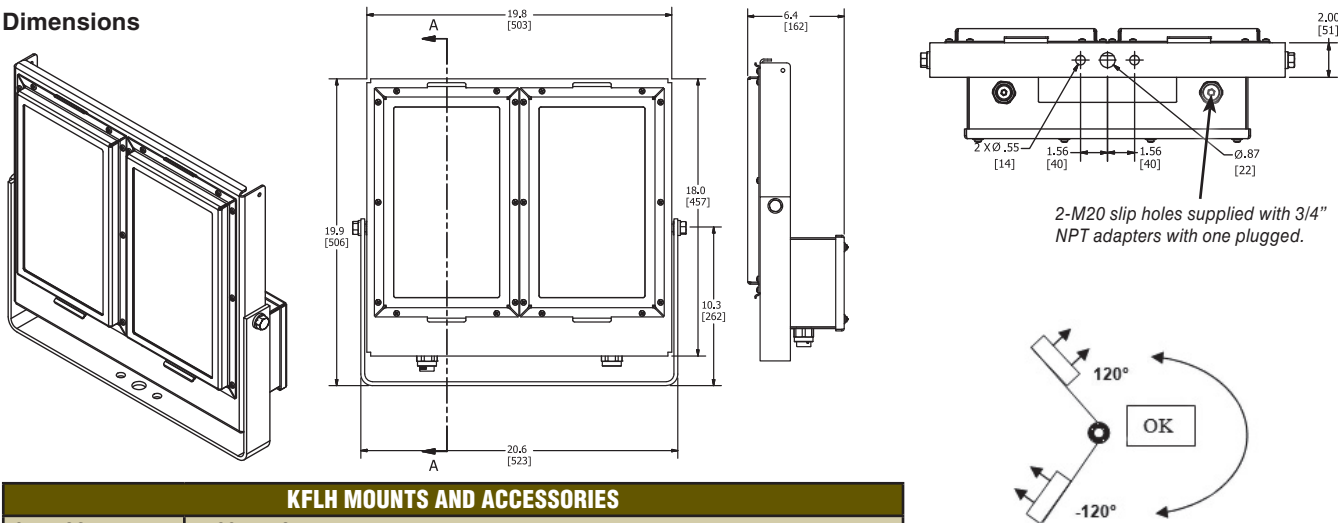
- PL - Polycarbonate Lens**
- F - Single Fuse** (Not for use in Canada)
- FF - Double Fuse** (Not for use in Canada)
- TBL - Terminal Blocks** **Looping**
- P1 - 120V Photocell**, factory installed
- P2 - 208V-277V Photocell**, factory installed
- P3 - 347V Photocell**, factory installed
- 3070 - 3000K (CCT) and 70 CRI LEDs**
- TURTLE - Wildlife Friendly Amber LEDs**
- AMBER - PC Amber (Phosphor Converted) LEDs**



C1D2 FLOOD – ORDERING INFORMATION & TECHNICAL DATA

ORDERING INFORMATION AND AMBIENT SUITABILITY						C1D2		C1D2 SIMULTANEOUS		C2D1		IEC ZONE 2		IEC ZONE 21		
CATALOG NO.	WEIGHT LBS./KG	WATTS	VOLTAGE	AMPS	LUMENS	40°C	55°C	40°C	55°C	40°C	55°C	40°C	55°C	40°C	55°C	
KFLH17030	25.00 / 11.3	170	120-277VAC	1.46-0.63	21620	T4A	T4	T4	T3C	T4	T3C	T4	T4	T100°C	T100°C	
KFLH17033			347-480VAC	0.51-0.36												
KFLH17034			120-250VDC	1.46-0.56												
KFLH21030		210	210	120-277VAC	1.75-0.75	21220	T4A	T4	T4	T3C	T4	T3C	T4	T4	T100°C	T100°C
KFLH21033				347-480VAC	0.61-0.43											
KFLH21034				120-250VDC	1.75-0.68											
KFLH22030		220	220	120-277VAC	1.88-0.81	26970	T4A	T4	T4	T3C	T4	T3C	T4	T4	T100°C	T100°C
KFLH22033				347-480VAC	0.65-0.47											
KFLH22034				120-250VDC	1.88-0.73											
KFLH25030		250	250	120-277VAC	2.17-0.94	30950	T4A	T4	T4	T3C	T4	T3C	T4	T4	T100°C	T100°C
KFLH25033				347-480VAC	0.75-0.54											
KFLH25034				120-250VDC	2.17-0.85											
KFLH30030	300	300	120-277VAC	2.48-1.07	37030	T4A	-	-	-	-	-	T4	-	T110°C		
KFLH39030	390	390	120-277VAC	3.30-1.43	40410	T3C	-	-	-	-	-	T3	-	T110°C		

Dimensions

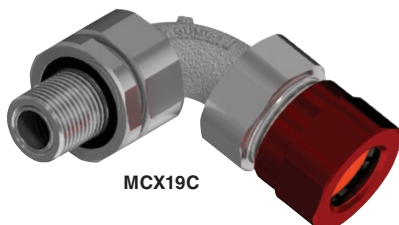


KFLH MOUNTS AND ACCESSORIES

CATALOG NUMBER	DESCRIPTION
KFS-6	Steel Slipfitter for 2" Pipe (2-3/8" o.d.) Tenon. Slips 3.75" Over Pipe.
KFCB	Heavy Duty Cast-Iron Crossarm Fitting for Horizontal Trunnion
KFWB	Heavy Duty Wall Mount and/or Pipe Clamp Fitting Clamps 2" Pipe (2-3/8" o.d.) Through 2-1/2" Pipe (2-7/8" o.d.)
K4040	Heavy Duty Steel Wall Bracket. (Must be with KFCB Crossarm Fitting)
4041	Heavy Duty Steel Wall Bracket 2" Pipe (2-3/8" o.d.) Tenon Fitting. Use with KFS-6
KFLG	Wire Guard, 316 Stainless Steel (order 2 per fixture)
VMSC10	10' Stainless Steel Safety Cable with loop grip
KFLH-DARK	Dark Sky Visor, White Painted Aluminum
KFLH-DOOR	Replacement Internal Reflector and Lens Assembly (order 2 per fixture as required)



CABLE GLAND ORDERING OPTIONS



CATALOG #	ENTRY THREAD SIZE (NPT)	BEND	CABLE ACCEPTANCE DETAILS	
			DIAMETER 'C'	MIN.
MCX19C	1/2"	90°	.60" (15.2)	.82" (20.8)
MCX29	3/4"	90°	.73" (18.5)	1.03" (26.2)

For entire series, please see www.hubbell-killark.com



CERTILITE[®] DESIGN

LIGHTING DESIGN SOFTWARE

Copyright ©2014 All Rights Reserved

- **Modern “Ribbon” Windows Interface with “Real Time” Calculations**
- **Easily import/export of CAD files (DWG/DXF/PDF)**
- **Enhanced photometric database with luminaire images and wireframes**
- **Ability to draw round or complex rooms and grids**
- **False Colors to indicate “Relative Brightness”**

See “Lighting Software link” at www.hubbell-killark.com to download

HKSB-KFLH 03-19 © Killark, 2019

KILLARK[®]

Hubbell Killark
2112 Fenton Logistics Park Blvd. • Fenton, MO 63026
Phone: (314) 531-0460 • Fax: (314) 531-7164
www.hubbell-killark.com



Harsh & Hazardous